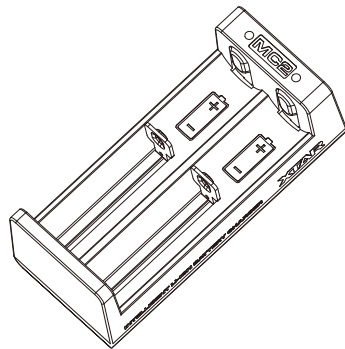


XTAR MC2

Portable Li-ion battery Charger



Shenzhen XTAR Electronics Co., Ltd
www.xtar.cc

Introduction

XTAR MC2 – MC2 is a professional portable two-slot Li-ion battery charger with Micro USB charging port.

MC2 applies to:

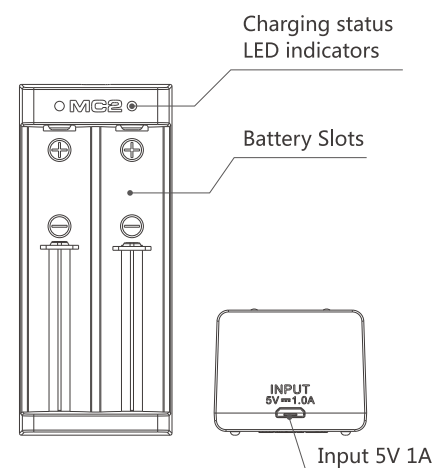
- Li-ion/IMR/INR/ICR batteries:
10440 14500 14650 16340 17335
17500 17670 18350 18500 18650
18700 22650 25500 26650
(3.6V/3.7V)

2

Technical Parameter

Input	DC 5V 1A
0.5A Constant Current	0.5A x 2
0.25A Constant Current	0.25A x 2
Cut-Off Voltage	4.2±0.05V
Cut-Off Current	50±20mA
Operation Temperature	0-40°C

3



4

Operation

- To charge battery: Connect the charger with standard wall adaptor and USB cable to input power, insert rechargeable Li-ion battery into the channels properly. When batteries are fully charged, MC1 will stop charging automatically and indicator turns green.
- To process 0V activation for battery: Do the same step as charging. Because of different battery types, capacities and over-discharge conditions, the time of revived may vary. Heavily over-discharged batteries may not be able to be revived. If 0V activation is succeed, then charger start charging process.

5

XTAR
Power in your hands

Shenzhen XTAR Electronics Co., Ltd

Address: 5th Floor, No.77 Xinhe Rd,
Shangmugu, Pinghu Area, Longgang District,
Shenzhen, Guangdong, China
Zip Code: 518111
Website: www.xtar.cc
Email: info@xtar.cc
Tel: +86-755-25507076
Fax: +86-755-25507076

Tips

1. It is recommended that you remove battery from the charger once charging has completed. If battery is not removed from charger , charger will restart when the battery' s voltage drops below 4.1V.
2. Charger have dynamic power management function, it can automatically adjusts the charging current.
3. Red indicator means Charging status, and green indicator means Ready to charge/ Finish /Being activated/ Poor connection , and it is battery reversed if no indicator showing.
4. To charge battery with voltage over 4.1V, please insert battery in charger then input power to start charging.

7

5. If this specification describes against the official website, please refer to the official website.
6. To know more about XTAR charger' s features , please visit XTAR official website technical section:
http://www.xtar.cc/news_list/&newsCategoryId=9.html

Customer Service

Please take the receipt and warranty card to local dealer to get A/S service.

1. 15 days free replacement. We will repair or replace a charger within 15 days of purchase if it is afflicted with a manufacturing defect. If the problem

8

calls for a replacement, we will replace the charger with the same model as the one you bought. If the model has been discontinued, customers will receive a product with similar or improved performance.

2. 24 months free repair. We offer free repair within 24 months of purchase if problems develop with normal use.
3. Lifetime technical support warranty. If problems develop after 24 months of the purchase date, we will charge for parts. The total repair fee will access according to the cost of the replaced materials. If damage to the charger is grave, XTAR will contact distributors with a quote who should contact the customer to decide whether to

9

exchange the parts or not. Freight should be paid by distributors or customers.
(This warranty is not applicable for damages cause by artificial damage or intentional force.)

Website & Anti-fake Inquiry

1. Welcome to visit our company website to get more information www.xtar.cc
2. Follow us on Facebook:
[www.facebook.com/Shenzhen XTAR](http://www.facebook.com/ShenzhenXTAR)
3. Anti-fake inquiry: A group of eighteen-digit number could be gained by scraping the anti-counterfeiting label

10

on our WARRANTY CARD. Then, input it to the corresponding query window in our service column of our official website to distinguish the product' s authenticity.

4. Thank you for choosing our excellent products, your satisfaction and feedbacks are essential to our progress.

Notice

1. Because of different battery types, capacities and over-discharge conditions, the battery revive time may vary. Heavily over-discharger batteries may not be able to be revived.
2. Please do not charge the unsuitable

11

batteries, otherwise may damage the batteries and charger.

3. Keep charger away from water and excessive dust.
4. Children should use the charger accompanied by an adult.
5. Do not disassemble or operate the charger if it is damaged in any way.
6. The charger has short circuit protection to protect the charger. Note that it does not prevent batteries from internal short-circuiting.

12