


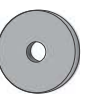
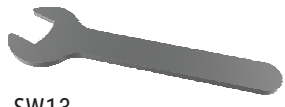
A

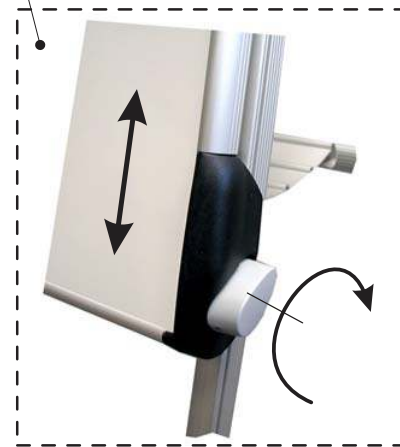
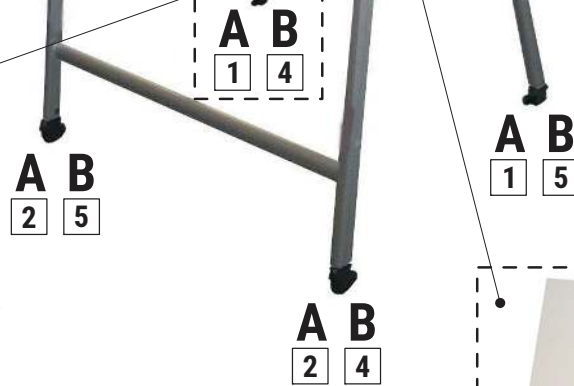
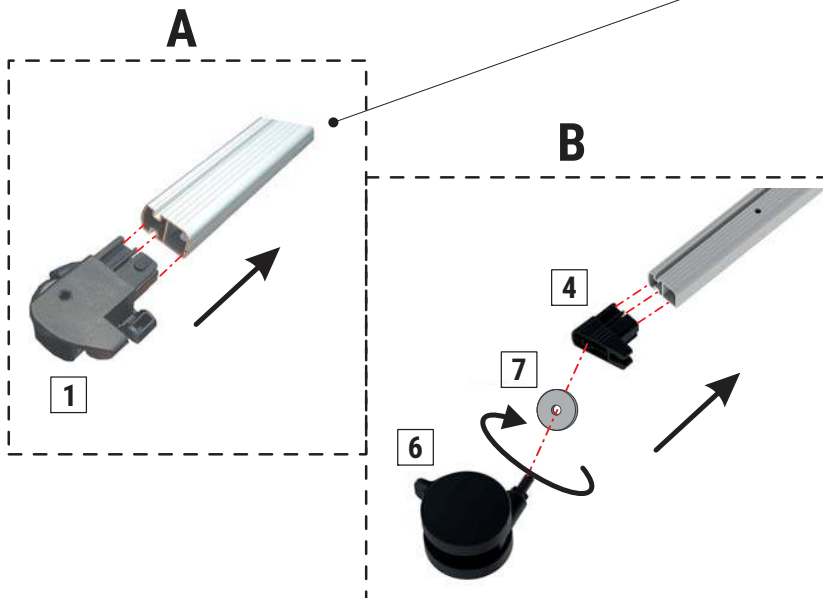
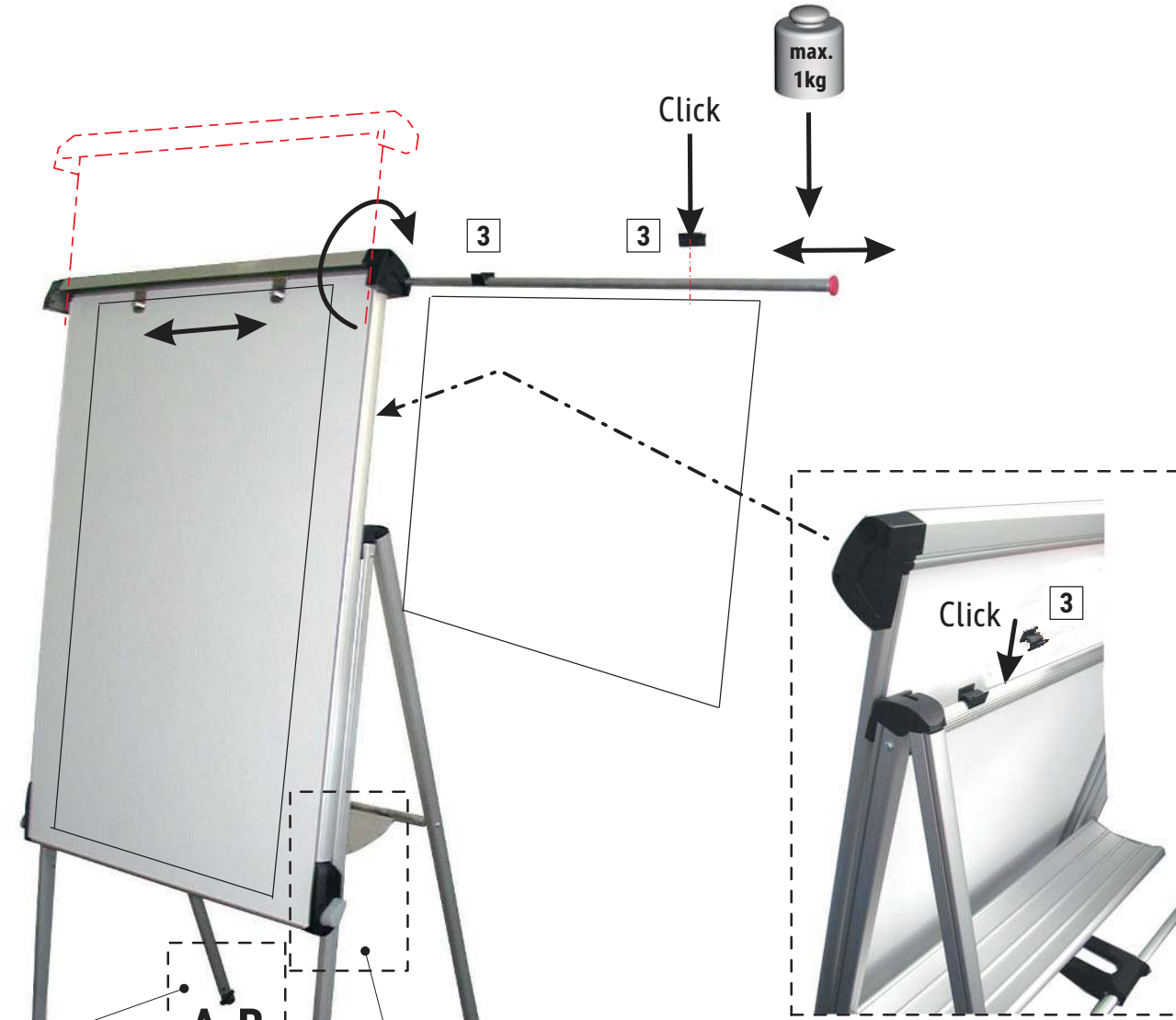
B

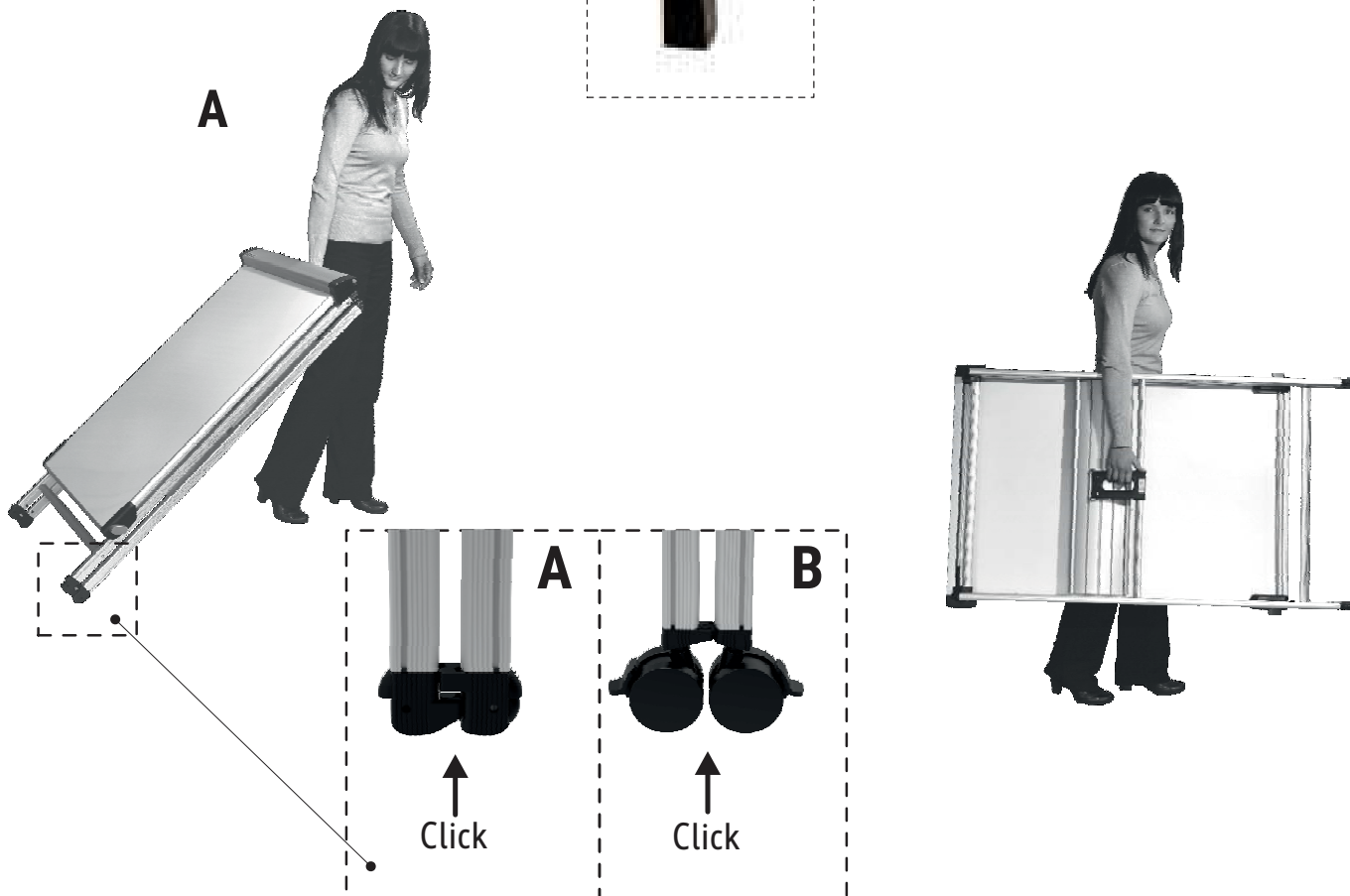
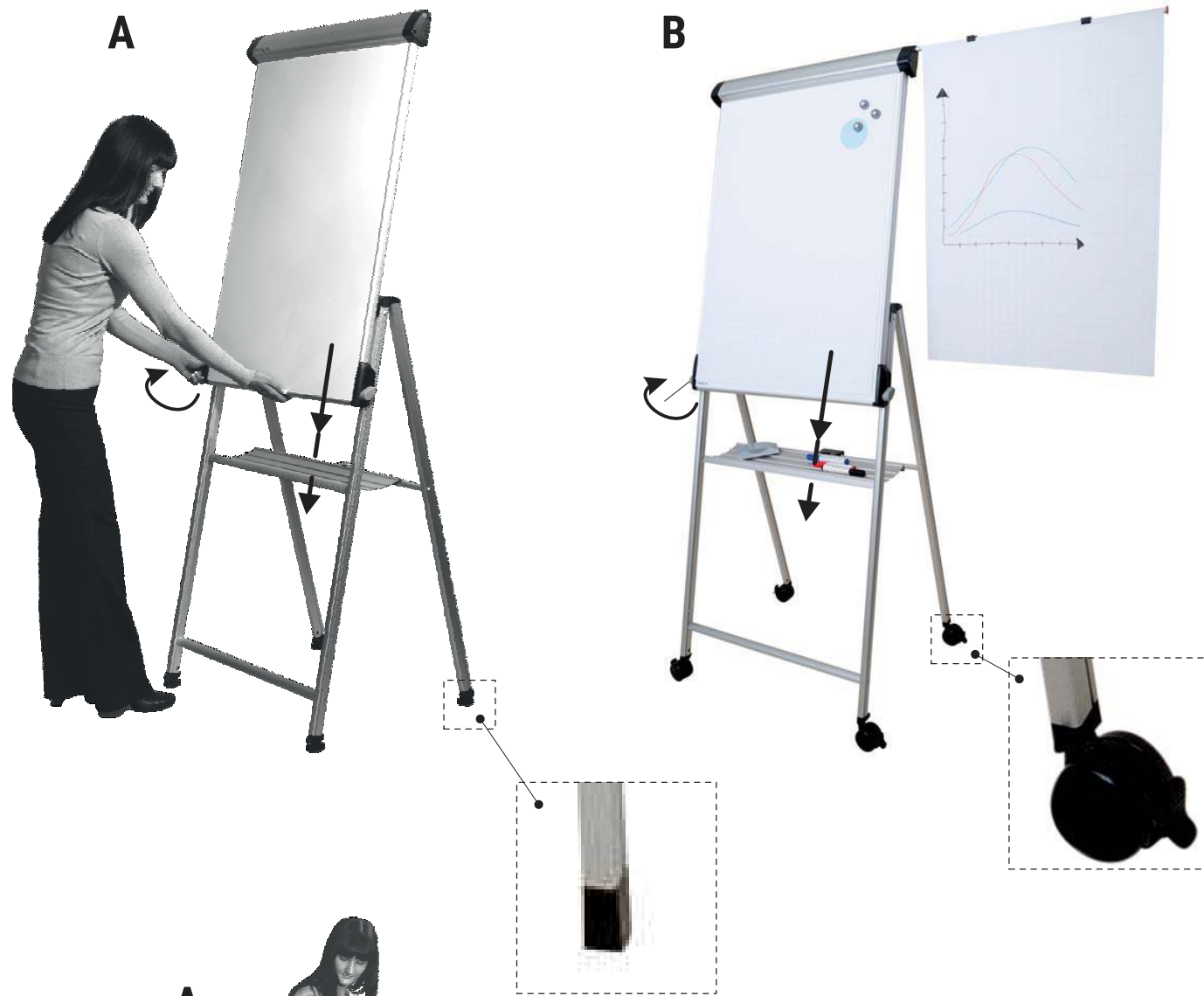
Flipchart MAULpro, Vierbein Flipchart, MAULpro, four legs

637 70 / 637 94 / 637 95



<p>1</p>  <p>1 x 1 x</p>	<p>4</p>  <p>2 x</p>
<p>2</p>  <p>1 x 1 x</p>	<p>5</p>  <p>2 x</p>
<p>3</p>  <p>2 x</p>	<p>6</p>  <p>4 x</p>
<p>7</p>  <p>4 x Ø 24</p>	
<p>8</p>  <p>1 x SW13</p>	





Notice de conditionnement et d'élimination
Istruzioni di imballaggio e smaltimento
Опаковка и указание за извърляне



Garantiehinweis
Guarantee
Garantie

